

Polex Environmental Engineering Pty Ltd  
ACN 121 129 842

**SPRING RECOIL HOSE REELS**

**Description**

The hose reels are designed for the extraction of vehicle exhaust fumes. A locking mechanism stops the hose at the desired height. The reel can be fitted on the wall or the ceiling. They can be used with a single fan or as part of a centralised extraction system. The reels are supplied complete with flexible hose and a safety stop. A selection of nozzles are available (sold separately).



**Construction**

- Pressed sheetmetal body.
- Crush proof Nylon black reinforced flexible hose suitable for use up to 200°C.

**Applications**

- Motorcycle, car and truck service workshops & dealerships
- Generators
- Army vehicles

**Options**

Electric recoil hose reels, Nozzles, Automatic closing valves.

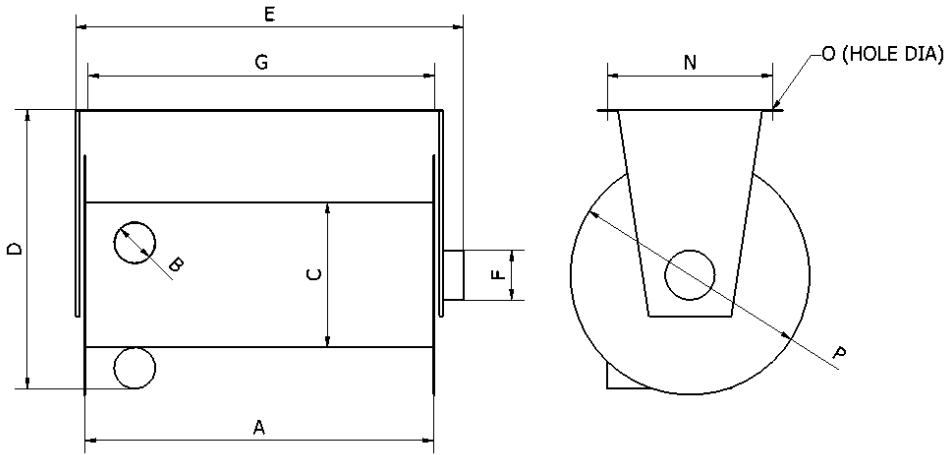
- **Systems for motorcycles, cars and trucks**
- **Spring recoil hose reels**
- **Nozzles to suit all makes of vehicles**
- **Designed for any airflow requirement**

**Specifications**

| Model             | Reel Type | Flexible Duct Diameter (mm) | Flexible Duct Length (m) | Recommended Air-flow (m <sup>3</sup> /h) | Air Outlet Diameter (mm) |
|-------------------|-----------|-----------------------------|--------------------------|------------------------------------------|--------------------------|
| APT-75/5-SB       | APT       | 75                          | 5                        | 318                                      | 120                      |
| APT-75/7.5-SB     | APT       | 75                          | 7.5                      | 318                                      | 120                      |
| APT-75/10-SB      | APT       | 75                          | 10                       | 318                                      | 120                      |
| APTC-75/13-SB     | APTC      | 75                          | 13                       | 318                                      | 120                      |
| APTC-100/5-SB     | APTC      | 100                         | 5                        | 565                                      | 120                      |
| APTC-100/7.5-SB   | APTC      | 100                         | 7.5                      | 565                                      | 120                      |
| APTC-100/10-SB    | APTC      | 100                         | 10                       | 565                                      | 120                      |
| AM-100/13-SB      | AM        | 100                         | 13                       | 565                                      | 150                      |
| AM-125/7.5-SB     | AM        | 125                         | 7.5                      | 884                                      | 150                      |
| AM-125/10-SB      | AM        | 125                         | 10                       | 884                                      | 150                      |
| AM-125/13-SB      | AM        | 125                         | 13                       | 884                                      | 150                      |
| AM-MAXI-125/15-SB | AM-MAXI   | 125                         | 15                       | 884                                      | 150                      |
| AM-MAXI-125/17-SB | AM-MAXI   | 125                         | 17                       | 884                                      | 150                      |
| AM-150/7.5-SB     | AM        | 150                         | 7.5                      | 1272                                     | 150                      |
| AM-150/10-SB      | AM        | 150                         | 10                       | 1272                                     | 150                      |
| AM-MAXI-150/13-SB | AM-MAXI   | 150                         | 13                       | 1272                                     | 150                      |
| AM-MAXI-180/10-SB | AM-MAXI   | 180                         | 5                        | 1832                                     | 150                      |
| AM-MAXI-200/10-SB | AM-MAXI   | 200                         | 10                       | 2262                                     | 150                      |

Polex Environmental Engineering Pty Ltd  
ACN 121 129 842

**SPRING RECOIL HOSE REELS**



**Dimensions**

| Model             | A (mm) | B (mm) | C (mm) | D (mm) | E (mm) | F (mm) | G (mm) | N (mm) | O (mm) | P (mm) | Weight (kg) |
|-------------------|--------|--------|--------|--------|--------|--------|--------|--------|--------|--------|-------------|
| APT-75/5-SB       | 600    | 75     | 350    | 600    | 709    | 120    | 639    | 246    | 10     | 540    | 40          |
| APT-75/7.5-SB     | 600    | 75     | 350    | 600    | 709    | 120    | 639    | 246    | 10     | 540    | 43          |
| APT-75/10-SB      | 600    | 75     | 350    | 600    | 709    | 120    | 639    | 246    | 10     | 540    | 46          |
| APTC-75/13-SB     | 850    | 75     | 350    | 631    | 970    | 120    | 914    | 307    | 12     | 540    | 49          |
| APTC-100/5-SB     | 850    | 100    | 350    | 676    | 970    | 120    | 914    | 311    | 12     | 580    | 45          |
| APTC-100/7.5-SB   | 850    | 100    | 350    | 676    | 970    | 120    | 914    | 311    | 12     | 580    | 49          |
| APTC-100/10-SB    | 850    | 100    | 350    | 676    | 970    | 120    | 914    | 311    | 12     | 580    | 53          |
| AM-100/13-SB      | 960    | 100    | 450    | 740    | 1170   | 150    | 1096   | 432    | 12     | 670    | 55          |
| AM-125/7.5-SB     | 720    | 125    | 450    | 795    | 930    | 150    | 856    | 444    | 12     | 730    | 45          |
| AM-125/10-SB      | 720    | 125    | 450    | 795    | 930    | 150    | 856    | 444    | 12     | 730    | 59          |
| AM-125/13-SB      | 960    | 125    | 450    | 795    | 1170   | 150    | 1096   | 444    | 12     | 730    | 61          |
| AM-MAXI-125/15-SB | 960    | 125    | 625    | 980    | 1200   | 150    | 966    | 530    | 12     | 875    | 60          |
| AM-MAXI-125/17-SB | 960    | 125    | 625    | 980    | 1200   | 150    | 966    | 530    | 12     | 875    | 62          |
| AM-150/7.5-SB     | 960    | 150    | 450    | 845    | 1170   | 150    | 1096   | 455    | 12     | 780    | 51          |
| AM-150/10-SB      | 960    | 150    | 450    | 845    | 1170   | 150    | 1096   | 455    | 12     | 780    | 55          |
| AM-MAXI-150/13-SB | 960    | 150    | 625    | 1030   | 1200   | 150    | 966    | 530    | 12     | 875    | 60          |
| AM-MAXI-180/10-SB | 960    | 180    | 625    | 1120   | 1200   | 150    | 966    | 542    | 12     | 985    | 60          |
| AM-MAXI-200/10-SB | 960    | 200    | 625    | 1175   | 1200   | 150    | 966    | 570    | 12     | 1053   | 65          |

Polex Environmental Engineering Pty Ltd  
ACN 121 129 842

### NOZZLES

| Item                                                     | Hose Diameter (mm) | Suction Inlet Diameter (mm) | Picture                                                                                            |
|----------------------------------------------------------|--------------------|-----------------------------|----------------------------------------------------------------------------------------------------|
| <b>Rubber Nozzle</b>                                     |                    |                             |  <p>BN</p>      |
| BN 75/80                                                 | 75                 | 80                          |                                                                                                    |
| BN 75/140                                                | 75                 | 140                         |                                                                                                    |
| BN 100/140                                               | 100                | 140                         |                                                                                                    |
| BN 125/140                                               | 125                | 140                         |                                                                                                    |
| BN 100/200                                               | 100                | 200                         |                                                                                                    |
| BN 125/200                                               | 125                | 200                         |                                                                                                    |
| BN 150/200                                               | 150                | 200                         |                                                                                                    |
| BN 180/200                                               | 180                | 200                         |                                                                                                    |
| BN 200/200                                               | 200                | 200                         |                                                                                                    |
| <b>Rubber Nozzle With Extractable Cap And C.O. Inlet</b> |                    |                             |  <p>BNT</p>     |
| BNT 75/140                                               | 75                 | 140                         |                                                                                                    |
| BNT 100/140                                              | 100                | 140                         |                                                                                                    |
| BNT 125/140                                              | 125                | 140                         |  <p>BNA</p>    |
| <b>Oval Twin Exhaust Rubber Nozzle</b>                   |                    |                             |                                                                                                    |
| BNA 75                                                   | 75                 | 165 x 88                    |                                                                                                    |
| BNA 100                                                  | 100                | 165 x 88                    |  <p>BNA P</p> |
| <b>Oval Twin Exhaust Rubber Nozzle</b>                   |                    |                             |                                                                                                    |
| BNA 75 P                                                 | 75                 | 165 x 88                    |                                                                                                    |
| BNA 100 P                                                | 100                | 165 x 88                    |  <p>BNPG</p>  |
| <b>Rubber Nozzle With Manual Gripper</b>                 |                    |                             |                                                                                                    |
| BNPG 75/140                                              | 75                 | 140                         |                                                                                                    |
| BNPG 100/140                                             | 100                | 140                         |                                                                                                    |
| BNPG 100/200                                             | 100                | 200                         |                                                                                                    |
| BNPG 125/200                                             | 125                | 200                         |                                                                                                    |
| BNPG 150/200                                             | 150                | 200                         |                                                                                                    |
| BNPG 180/200                                             | 180                | 200                         |                                                                                                    |
| BNPG 200/200                                             | 200                | 200                         |  <p>BNPM</p>  |
| <b>Rubber Nozzle With Manual Locking Gripper</b>         |                    |                             |                                                                                                    |
| BNPM 75/140                                              | 75                 | 140                         |                                                                                                    |
| BNPM 100/140                                             | 100                | 140                         |                                                                                                    |
| BNPM 100/200                                             | 100                | 200                         |                                                                                                    |
| BNPM 125/200                                             | 125                | 200                         |                                                                                                    |
| BNPM 150/200                                             | 150                | 200                         |                                                                                                    |
| BNPM 180/200                                             | 180                | 200                         |                                                                                                    |
| BNPM 200/200                                             | 200                | 200                         |                                                                                                    |

[www.polex.com.au](http://www.polex.com.au)

343-345 Chisholm Road Auburn NSW 2144 Australia. Tel +61 2 9738 1777 Fax +61 2 9738 1999 [info@polex.com.au](mailto:info@polex.com.au)

Polex reserves the right to change design without notice. Copyright 2009 Polex Environmental Engineering Pty Ltd