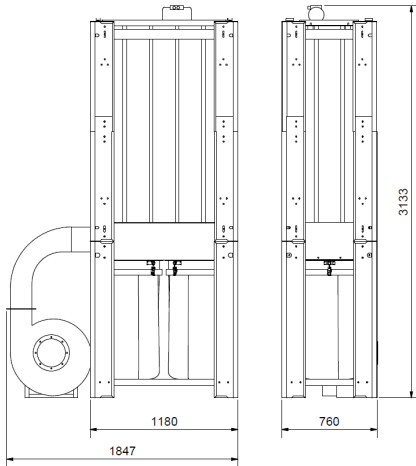


Polex™ eCONO™ Shaker Dust Collectors

eCONO™ 3000S 3 kW



- Compact design
- Powerful 3 kW materials handling fan
- Shaker motor for filter cleaning
- Durable Polyester needlefelt filter bags with large openings for easy dust release
- Large plastic dust bags with retainer collars
- Start-stop controls for the fan
- Automatic timer switch for the shaker motor
- Ideal for timber joinery workshops
- Supplied in kit form

Specifications

Model	eCONO™ 3000S 3 kW
Type	Shaker
Capacity	3,000 m ³ /h @ 2400 Pa (static)
Overall Dimensions	~1,180 x 1,180 x 3,519 mm high
Inlet Diameter	1 x 225 mm dia
Filters	15 m ² , Cylindrical bag, Antistatic Polyester needlefelt 550 g/m ²
Control panel	Stop/start, D.O.L. fan contactor
Dust bag capacity	2 x 185 L
Motor	3 kW, 2900 rpm, 5.6 A
Construction Material	Galvanised sheet metal
Sound levels	Fan 85 dBA @ 1 m Optional silencer: reduce by 8 dBA Optional acoustic box: reduce by 8 dBA

Supplied as flat-pack. Assembly and electrical wiring excluded.

