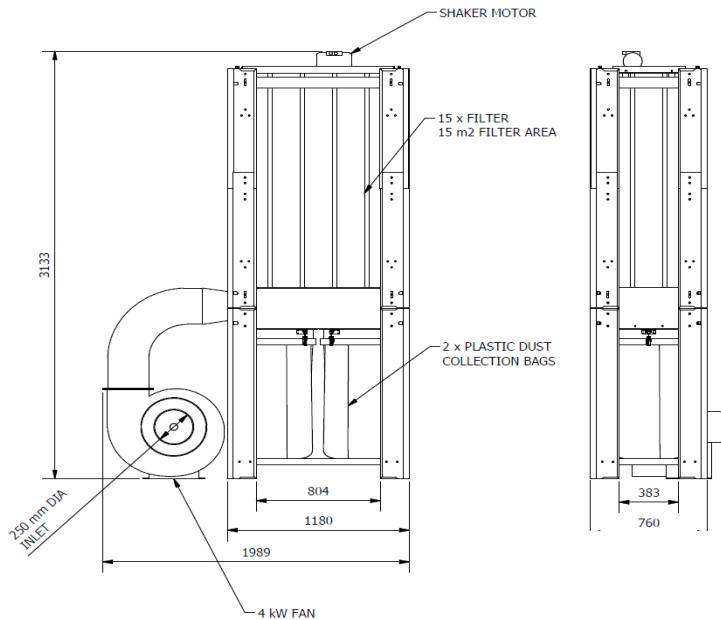


Polex™ eCONO™ Shaker Dust Collectors

eCONO™ 4000S 4 kW

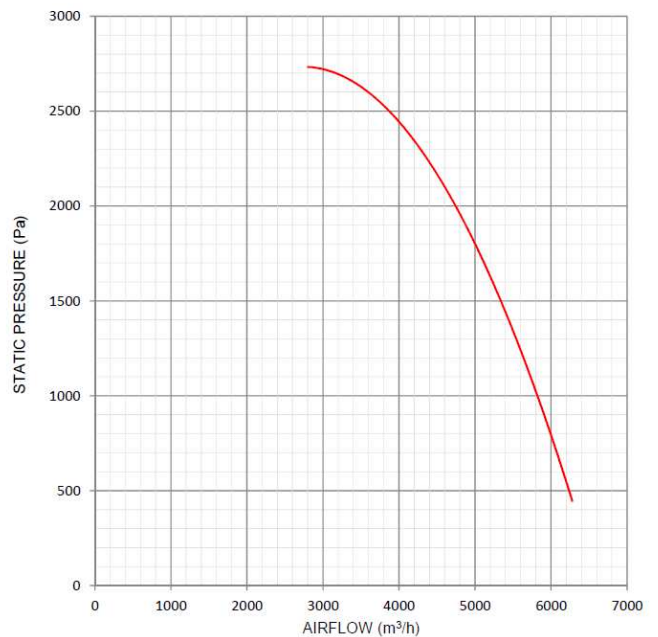


- Compact design
- Powerful 4 kW fan
- Shaker motor for filter cleaning
- Durable Polyester needlefelt filter bags with large openings for easy dust release

- Large plastic dust bags with retainer collars
- Start-stop controls for the fan
- Manual timer switch for the shaker motor
- Ideal for timber joinery workshops
- Supplied in kit form

Specifications

Model	eCONO™ 4000S 4 kW
Type	Shaker
Capacity	4,000 m ³ /h @ 2400 Pa (static)
Overall Dimensions	~1,180 x 1,180 x 3,519 mm high
Inlet Diameter	1 x 250 mm dia
Filters	15 m ² , Cylindrical bag, Antistatic Polyester needlefelt 550 g/m ²
Control panel	Stop/start, D.O.L. fan contactor
Dust bag capacity	2 x 185 L
Motor	4 kW, 2900 rpm, 7.3 A
Construction Material	Galvanised sheet metal
Sound levels	Fan 85 dBA @ 1 m Optional silencer: reduce by 8 dBA Optional acoustic box: reduce by 8 dBA



Supplied as flat-pack. Assembly and electrical wiring excluded.