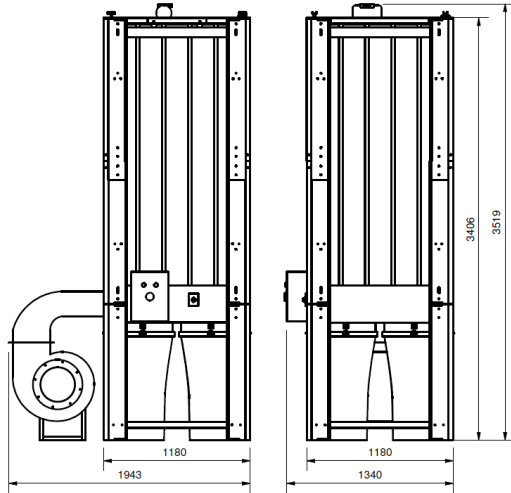
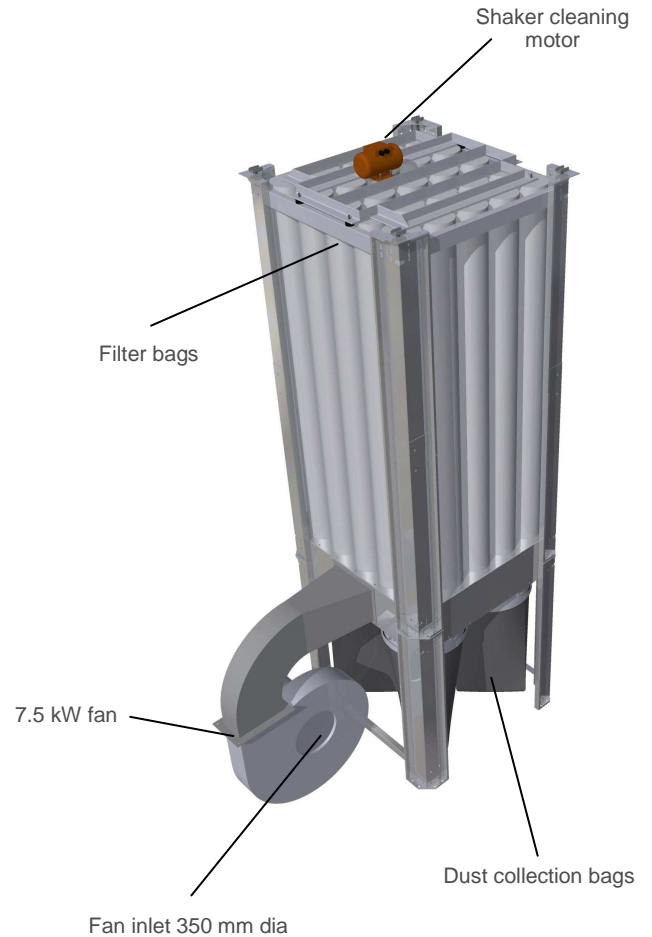


Polex™ eCONO™ Shaker Dust Collectors

eCONO™ 6000S 7.5 kW

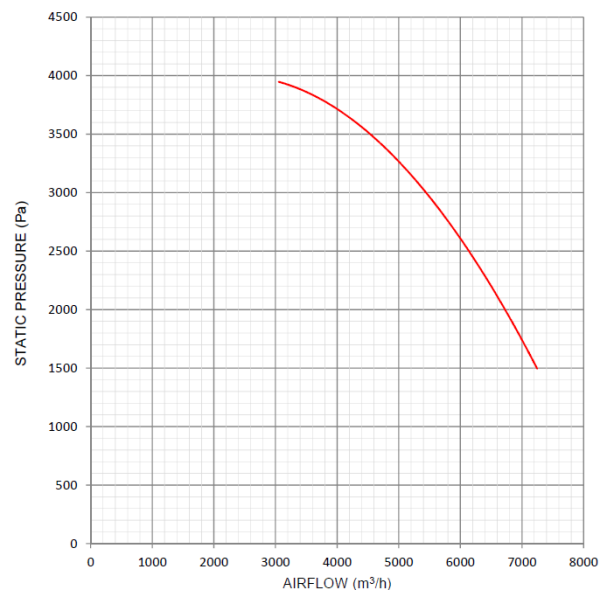


- Compact design
- Powerful 7.5 kW materials handling fan
- Shaker motor for filter cleaning
- Durable Polyester needlefelt filter bags with large openings for easy dust release
- Large plastic dust bags with retainer collars
- Start-stop controls for the fan
- Manual timer switch for the shaker motor
- Ideal for timber joinery workshops
- Supplied in kit form



Specifications

Model	eCONO™ 6000S 7.5 kW
Type	Shaker
Capacity	6,000 m ³ /h @ 2500 Pa (static)
Overall Dimensions	~1,180 x 1,180 x 3,519 mm high
Inlet Diameter	1 x 350 mm dia
Filters	30 m ² , Cylindrical bag, Antistatic Polyester needlefelt 550 g/m ²
Control panel	Stop/start, Star-Delta fan contactor
Dust bag capacity	4 x 180 L
Motor	7.5 kW, 2900 rpm, 13.4 A
Construction Material	Mild steel, Galvanised and Powdercoated
Sound levels	Fan 85 dBA @ 1 m Optional silencer: reduce by 8 dBA Optional acoustic box: reduce by 8 dBA



Supplied as flat-pack. Assembly and electrical wiring excluded.