

Polex Environmental Engineering Pty Ltd
ACN 121 129 842

Polex™ ROTARY VALVE MODEL 250

Description

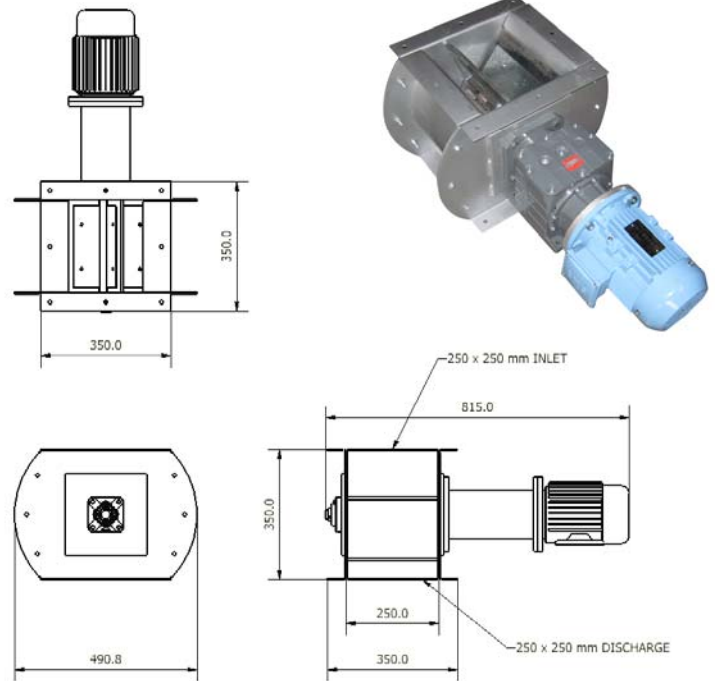
The Polex™ Rotary Valve series has flexible rubber tips to permit free movement of the impeller whilst maintaining an airtight seal.

Operating Principle

Product is fed through the square inlet opening and is moved through an airlock by a rotating impeller, and discharged on the opposite side.

Construction

3 mm thick Galvanised sheetmetal.



Specifications

Model	RV250
Power	0.75 kW
Capacity	500 kg/h
Drive	Direct
Speed	16 rpm
Phase	3
Voltage	415 V
Current	3.3 A